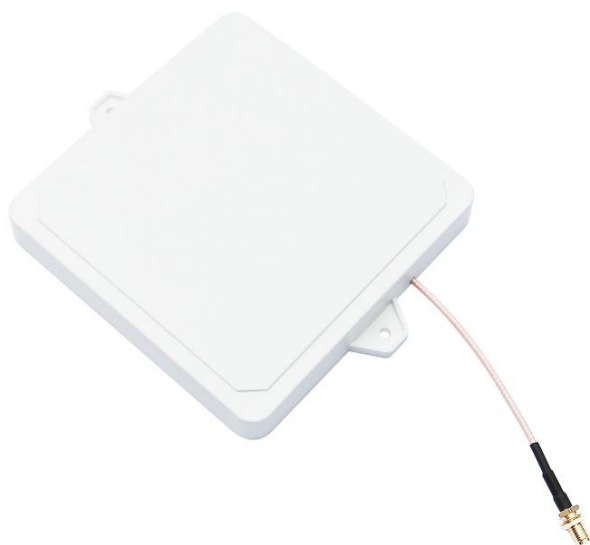


902-928MHz 6.5dBi RFID Antenna

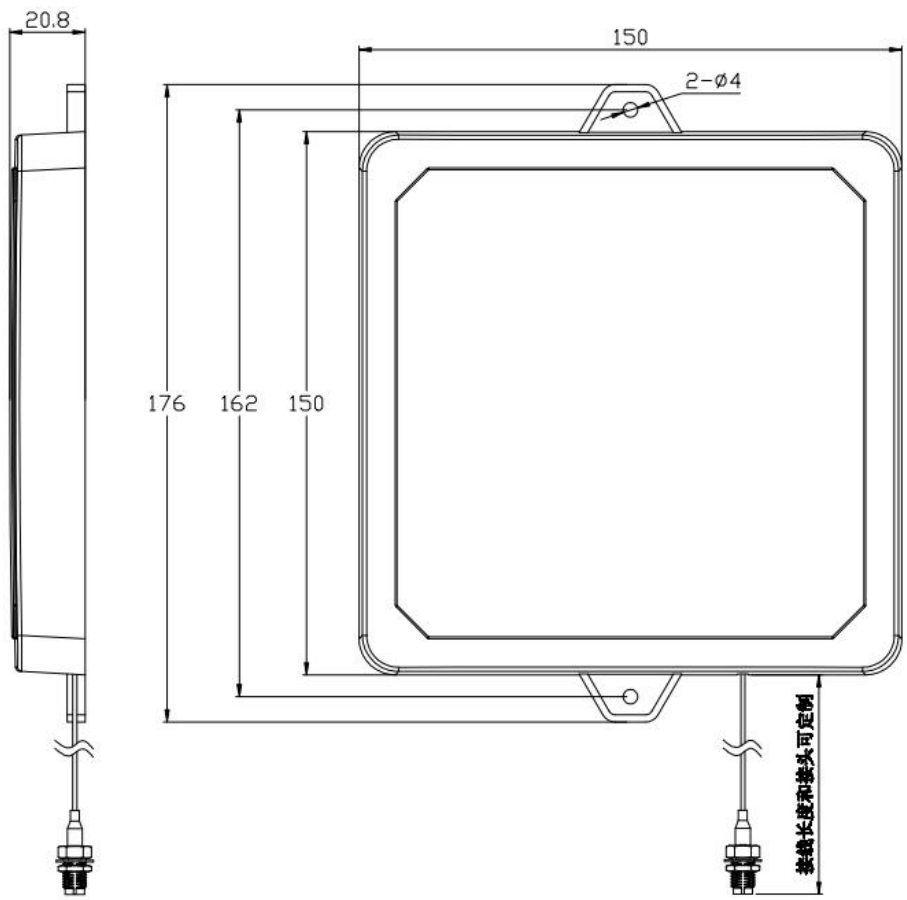
电气性能 Electrical Specifications	
频率范围 Frequency Range (MHz)	902-928
增益 Gain (dBi)	6.5dBi
半功率角 Beam Width (°)	Hor:70±5 Ver:70±5
驻波比 VSWR	≤1.4
阻抗 Impedance (Ω)	50
极化方式 Polarization	Circular polarization
轴比 axial ratio (dB)	≤3
最大功率 MAX. Power (W)	50
防雷保护 Lightning protection	DC grounding

机械性能 Mechanical Specifications	
接头 Connector	SMA-Female
接头位置 Connector position	Side lead out
天线尺寸 Dimension (mm)	150*150*21mm (Hanging ears:176mm)
净重 Antenna weight (kg)	0.25
天线罩材料 Radome material	ABS
天线罩颜色 Radome color	white
工作温度 Operating temperature (°C)	-40~55

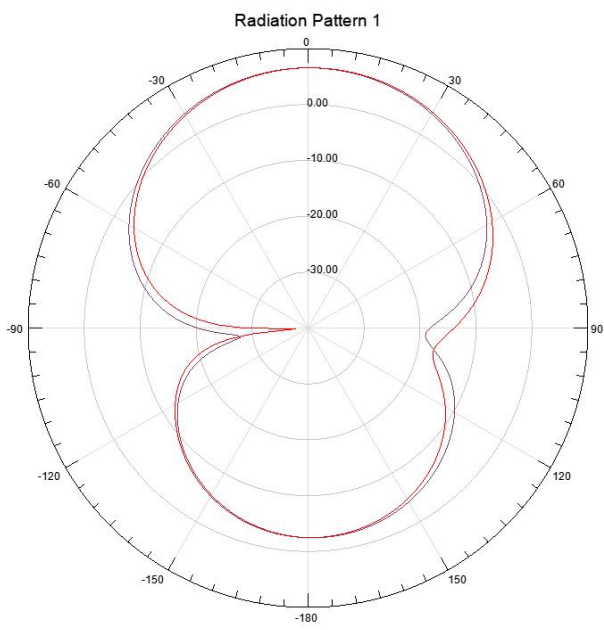
Product pictures



product dimensions



辐射方向图 Radiation Patterns



Curve Info	max	xdb10Beamwidth(3)
dB(RealizedGainRHCP) Setup2 : LastAdaptive Freq=0.915GHz Phi=0deg	6.5598	68.0156
dB(RealizedGainRHCP) Setup2 : LastAdaptive Freq=0.915GHz Phi=90deg	6.5514	67.9072